

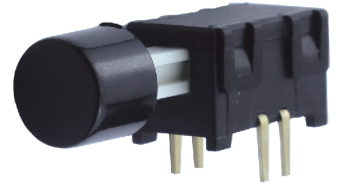


Feature :

DPST
On-On function

Application :

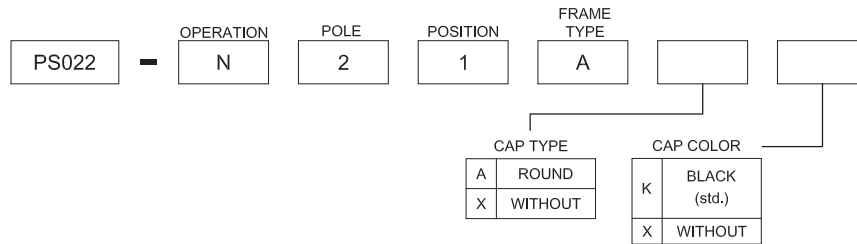
Consumer products
Computer products
Instrumentation
Communication equipments



- TACT SWITCH
- PUSH BUTTON SWITCH
- LED TOUCH SENSOR SWITCH
- 5 DIRECTION NAVIGATION SWITCH WITH LED
- MEMBRANE SWITCH
- LED LIGHT BAR
- SLIDE SWITCH
- ROTARY SWITCH
- ROCKER SWITCH
- DETECT SWITCH
- ENCODER
- INTERRUPTER
- MINIATURE MICRO SWITCH
- TELEPHONE HOOK SWITCH
- DOOR SWITCH
- MINI SIZE SOCKET
- KNOB
- CAP SYMBOL

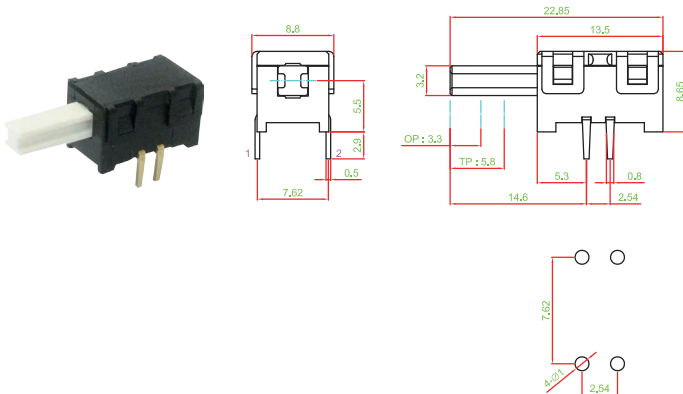
SWITCH SPECIFICATIONS	
POLE - POSITION	2P1T , Momentary
CONTACT RATING	36 V DC , 0.2 A
CONTACT RESISTANCE	40 mΩ MAX. 1.5 V DC ; 100 mA , by method of voltage DROP
INSULATION RESISTANCE	100 MΩ MIN. 500 V DC
DIELECTRIC STRENGTH	Breakdown is not allowable ; 500 V AC for 1 minute
OPERATING FORCE	300 ± 100 gf
OPERATING LIFE	500,000 cycles
OPERATING TEMPERATURE RANGE	-40°C ~ 85°C
TOTAL TRAVEL	5.8 ± 0.3 mm

▶ HOW TO ORDER



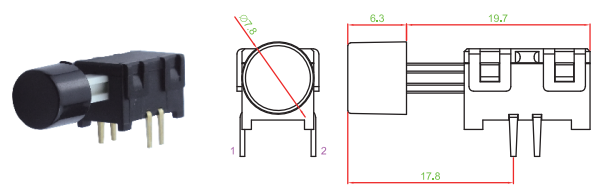
▶ DIMENSION

PS022-N21AXX



▶ CAP TYPE

PS022-N21AAK



▶ CIRCUIT

