

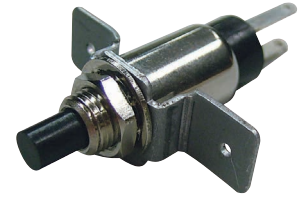


Feature :

With screw mount installation
Wire and PCB terminal

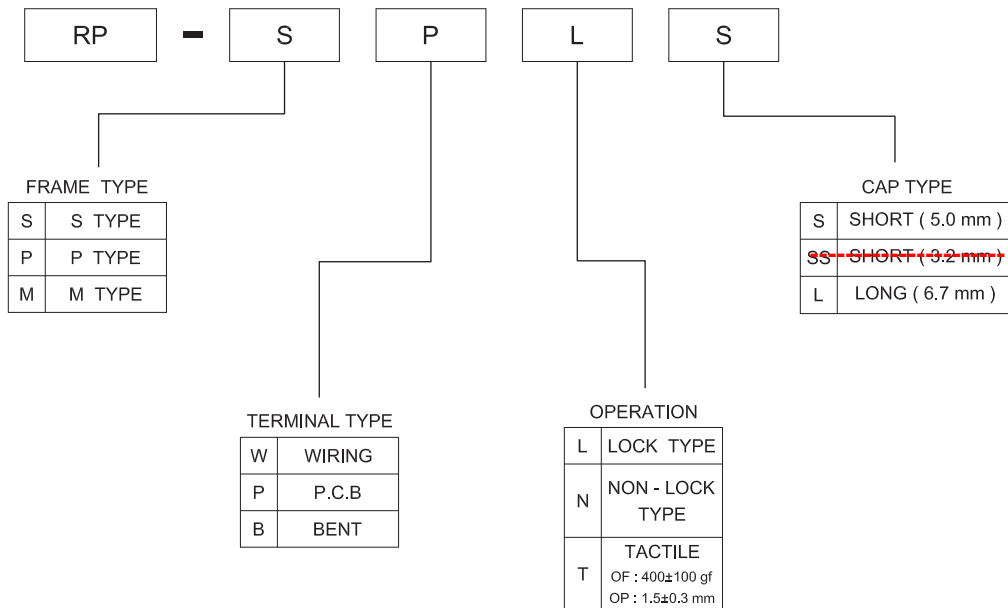
Application :

Consumer products
Computer products
Instrumentation
Communication equipments



SWITCH SPECIFICATIONS	
POLE - POSITION	SPST ,Momentary and Lock Type are Available
CONTACT RATING	120 V AC or 28 V DC , 1 A
CONTACT RESISTANCE	30 mΩ MAX. 1.5 V DC ; 100 mA , by Method of Voltage DROP
INSULATION RESISTANCE	100 MΩ MIN. 500 V DC
DIELECTRIC STRENGTH	Breakdown is not Allowable ; 500 V AC for 1 Minute
OPERATING FORCE	650 ± 150 gf
OPERATING LIFE	10,000 cycles
OPERATING TEMPERATURE RANGE	-40°C ~ 85°C
TOTAL TRAVEL	3.3 ± 0.3 mm

▶ HOW TO ORDER

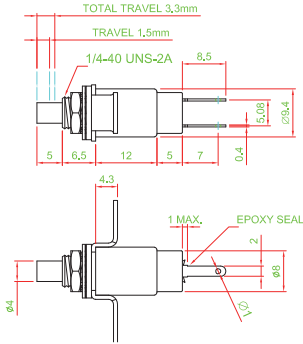


- TACT SWITCH
- PUSH BUTTON SWITCH
- LED TOUCH SENSOR SWITCH
- 5 DIRECTION NAVIGATION SWITCH WITH LED
- MEMBRANE SWITCH
- LED LIGHT BAR
- SLIDE SWITCH
- ROTARY SWITCH
- ROCKER SWITCH
- DETECT SWITCH
- ENCODER
- INTERRUPTER
- MINIATURE MICRO SWITCH
- TELEPHONE HOOK SWITCH
- DOOR SWITCH
- MINI SIZE SOCKET
- KNOB
- CAP SYMBOL

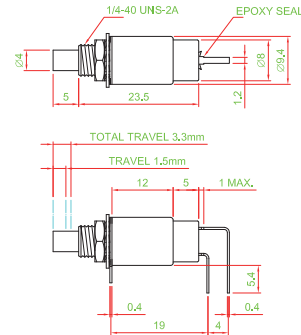


► **DIMENSION**

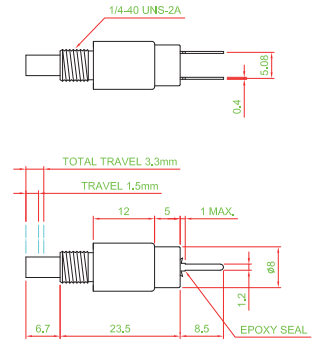
RP - MWNS



RP - PBNS



RP - SPL

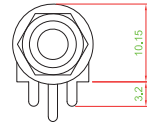


► **FRAME TYPE**

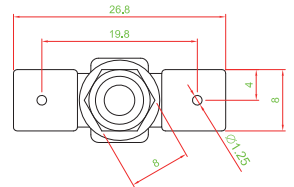
S TYPE



P TYPE

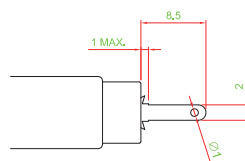


M TYPE

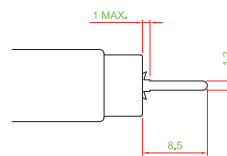


► **TERMINAL TYPE**

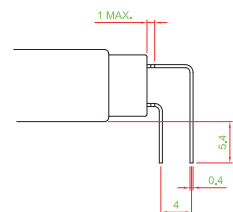
W TYPE



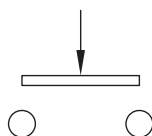
P TYPE



B TYPE



► **CIRCUIT**



- TRACT SWITCH
- PUSH BUTTON SWITCH
- LED TOUCH SENSOR SWITCH
- 5 DIRECTION NAVIGATION SWITCH WITH LED
- MEMBRANE SWITCH
- LED LIGHT BAR
- SLIDE SWITCH
- ROTARY SWITCH
- ROCKER SWITCH
- DETECT SWITCH
- ENCODER
- INTERRUPTER
- MINIATURE MICRO SWITCH
- TELEPHONE HOOK SWITCH
- DOOR SWITCH
- MINI SIZE SOCKET
- KNOB
- CAP SYMBOL