

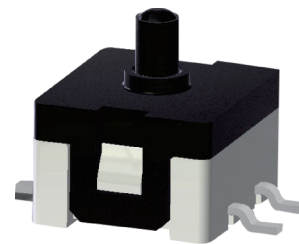


### Feature :

SPST  
Mini in dimension  
3.8x3.45x2.3mm,

### Application :

Consumer products  
Computer products  
Instrumentation  
Communication equipments



### SWITCH SPECIFICATIONS

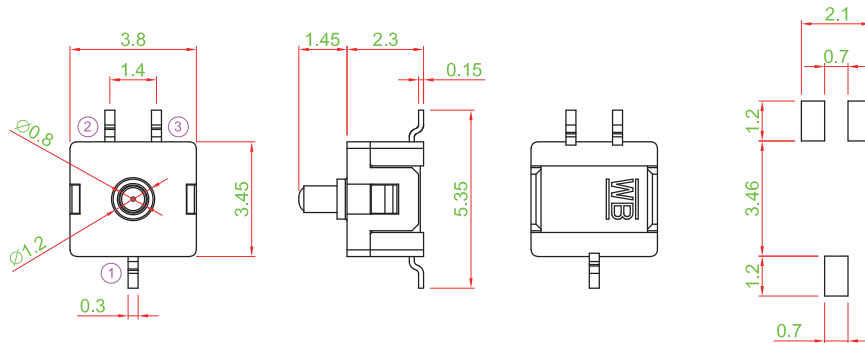
POLE - POSITION	Momentary action , SPST
CONTACT RATING	12 V DC , 50 mA
CONTACT RESISTANCE	100 mΩ MAX. 5 V DC ; 1 A , by Method of Voltage DROP
INSULATION RESISTANCE	100 MΩ MIN. 100 V DC for 1 minute
DIELECTRIC STRENGTH	Breakdown is not Allowable ; 250 V AC for 1 Minute
OPERATING FORCE	160 ± 50 gf
OPERATING LIFE	50,000 cycles
OPERATING TEMPERATURE RANGE	-40°C ~ 85°C
TOTAL TRAVEL	0.2 ± 0.10 mm

### ▶ HOW TO ORDER



### ▶ DIMENSION

TC021 - N11AAA



### ▶ CIRCUIT

